

Turning Movement Summary Diagram

North On 1 St		
Vehicle Type	Vol	%
A: Passenger Vehicle	496	97.3
B: Recreational Vehicle	0	0.0
C: Bus	7	1.4
D: Single Unit Truck	4	0.8
E: Tractor Trailer Unit	3	0.6
ASDT	580	
AAADT	510	

Reference No.: 70000663

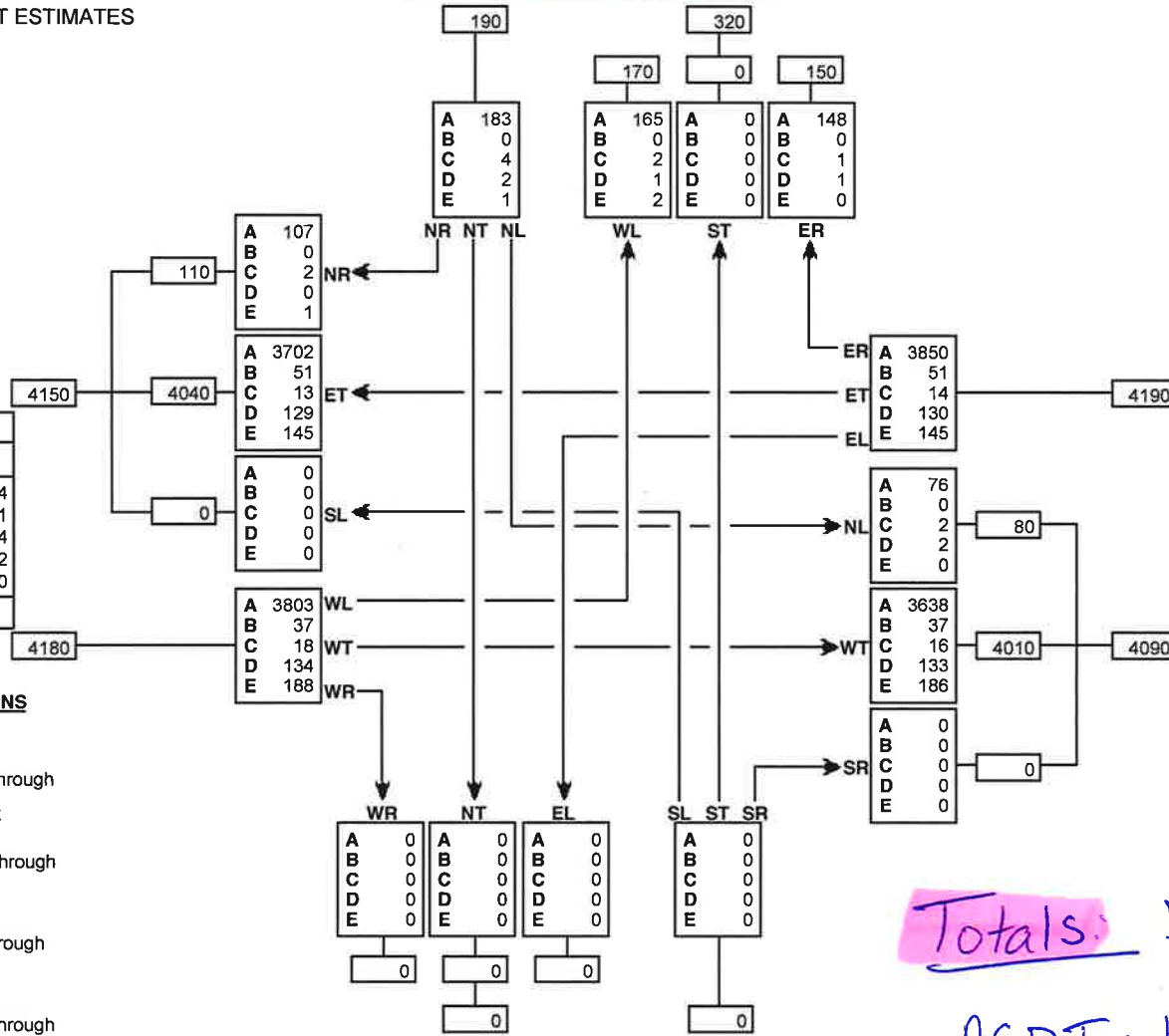
Intersection of:

27 & 1 ST, SUNDRE 4-33-5-513800075

2016 AADT / ASDT ESTIMATES

West On 27		
Vehicle Type	Vol	%
A: Passenger Vehicle	7612	91.4
B: Recreational Vehicle	88	1.1
C: Bus	33	0.4
D: Single Unit Truck	263	3.2
E: Tractor Trailer Unit	334	4.0
ASDT	9470	
AAADT	8330	

East On 27		
Vehicle Type	Vol	%
A: Passenger Vehicle	7564	91.4
B: Recreational Vehicle	88	1.1
C: Bus	32	0.4
D: Single Unit Truck	265	3.2
E: Tractor Trailer Unit	331	4.0
ASDT	9420	
AAADT	8280	



TURNING MOVEMENT ABBREVIATIONS

- NR: Traffic From North Turning Right
- NL: Traffic From North Turning Left
- NT: Traffic From North Proceeding Through
- SR: Traffic From South Turning Right
- SL: Traffic From South Turning Left
- ST: Traffic From South Proceeding Through
- ER: Traffic From East Turning Right
- EL: Traffic From East Turning Left
- ET: Traffic From East Proceeding Through
- WR: Traffic From West Turning Right
- WL: Traffic From West Turning Left
- WT: Traffic From West Proceeding Through

TURNING MOVEMENT ABBREVIATIONS

- AAADT: Average Annual Daily Traffic
Average daily traffic expressed as vehicles per day for period of January 1 to December 31 (365 days)
- ASDT: Average Summer Daily Traffic
Average daily traffic expressed as vehicles per day for period of May 1 to September 30 (153 days)

South On		
Vehicle Type	Vol	%
A: Passenger Vehicle	0	0.0
B: Recreational Vehicle	0	0.0
C: Bus	0	0.0
D: Single Unit Truck	0	0.0
E: Tractor Trailer Unit	0	0.0
ASDT		
AAADT	0	

Totals: DAY | YEAR

ASDT: 19,470 | 7,106,550

AAADT: 17,120 | 6,248,800

Turning Movement Summary Diagram

Reference No.: 70000663

Intersection of:

27 & 1 ST, SUNDRE 4-33-5-513800075

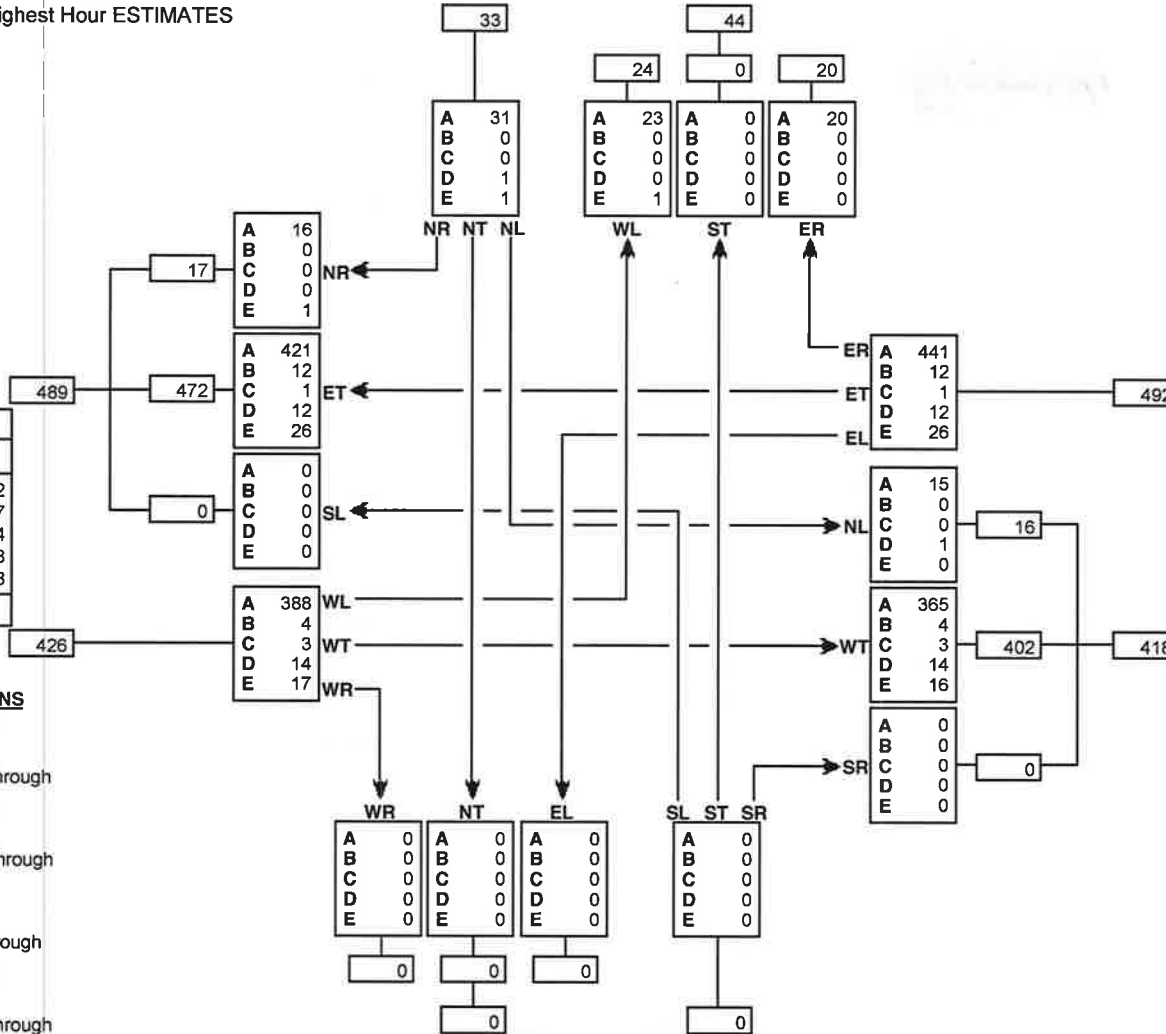
2016 a.m. 100th Highest Hour ESTIMATES

North On 1 St		
Vehicle Type	Vol	%
A: Passenger Vehicle	74	96.1
B: Recreational Vehicle	0	0.0
C: Bus	0	0.0
D: Single Unit Truck	1	1.3
E: Tractor Trailer Unit	2	2.6
Total	77	

West On 27		
Vehicle Type	Vol	%
A: Passenger Vehicle	825	90.2
B: Recreational Vehicle	16	1.7
C: Bus	4	0.4
D: Single Unit Truck	26	2.8
E: Tractor Trailer Unit	44	4.8
Total	915	

East On 27		
Vehicle Type	Vol	%
A: Passenger Vehicle	821	90.2
B: Recreational Vehicle	16	1.8
C: Bus	4	0.4
D: Single Unit Truck	27	3.0
E: Tractor Trailer Unit	42	4.6
Total	910	

South On		
Vehicle Type	Vol	%
A: Passenger Vehicle	0	0.0
B: Recreational Vehicle	0	0.0
C: Bus	0	0.0
D: Single Unit Truck	0	0.0
E: Tractor Trailer Unit	0	0.0
Total	0	



TURNING MOVEMENT ABBREVIATIONS

- NR: Traffic From North Turning Right
- NL: Traffic From North Turning Left
- NT: Traffic From North Proceeding Through
- SR: Traffic From South Turning Right
- SL: Traffic From South Turning Left
- ST: Traffic From South Proceeding Through
- ER: Traffic From East Turning Right
- EL: Traffic From East Turning Left
- ET: Traffic From East Proceeding Through
- WR: Traffic From West Turning Right
- WL: Traffic From West Turning Left
- WT: Traffic From West Proceeding Through

Turning Movement Summary Diagram

North On 1 St		
Vehicle Type	Vol	%
A: Passenger Vehicle	69	97.2
B: Recreational Vehicle	0	0.0
C: Bus	1	1.4
D: Single Unit Truck	1	1.4
E: Tractor Trailer Unit	0	0.0
Total	71	

Reference No.: 70000663

Intersection of:

27 & 1 ST, SUNDRE 4-33-5-51380075

2016 p.m. 100th Highest Hour ESTIMATES

West On 27		
Vehicle Type	Vol	%
A: Passenger Vehicle	844	92.1
B: Recreational Vehicle	8	0.9
C: Bus	3	0.3
D: Single Unit Truck	23	2.5
E: Tractor Trailer Unit	38	4.1
Total	916	

East On 27		
Vehicle Type	Vol	%
A: Passenger Vehicle	833	91.8
B: Recreational Vehicle	8	0.9
C: Bus	4	0.4
D: Single Unit Truck	24	2.6
E: Tractor Trailer Unit	38	4.2
Total	907	

TURNING MOVEMENT ABBREVIATIONS

- NR: Traffic From North Turning Right
- NL: Traffic From North Turning Left
- NT: Traffic From North Proceeding Through
- SR: Traffic From South Turning Right
- SL: Traffic From South Turning Left
- ST: Traffic From South Proceeding Through
- ER: Traffic From East Turning Right
- EL: Traffic From East Turning Left
- ET: Traffic From East Proceeding Through
- WR: Traffic From West Turning Right
- WL: Traffic From West Turning Left
- WT: Traffic From West Proceeding Through

