



TOWN OF SUNDRE

INFORMATION REQUIRED FOR WOOD-BURNING UNIT APPLICATION (To be completed as fully as possible and attached to the Building Permit Application Form)

Property to be Developed:

Civic Address: _____

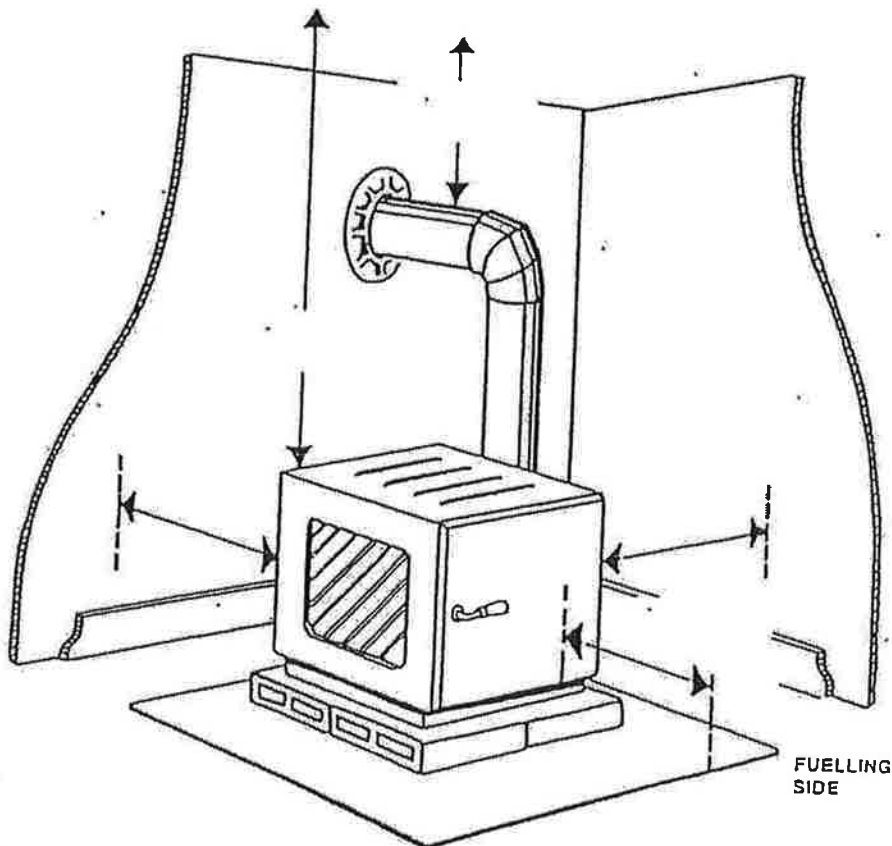
Legal: _____ Lot: _____ Block: _____ Registered Plan No.: _____

Draw a diagram of the wood-burning unit, include the distance from each wall, the distance of the non-combustible floor extends around all sides of the unit, flue type and clearance (example of diagram below).

Is the wood-burning unit ULC or Warnock-Hershey approved? Yes / No

If no, where did you purchase the unit? _____

What type of floor is the wood-burning unit on – concrete blocks or tiles? _____



THIS IS NOT A BUILDING PERMIT